

Submittal Drawing 0130 STATIC FIRE DAMPERS

Company:

Contact:

STANDARD CONSTRUCTION **TYPE C**

FRAME

22 ga. Rollformed Steel frame

BLADES

22 ga. Interlocking Steel Blades
'Out of the Air Stream'

FINISH

Mill

Fusible Link.

165 deg. F Standard

MAXIMUM SIZE

Single section -60" x 60" - Vertical and Horizontal
52" - Round

MULTIPLE SECTIONS ASSEMBLY

120" x 120" - Vertical
60" x 60" - Horizontal

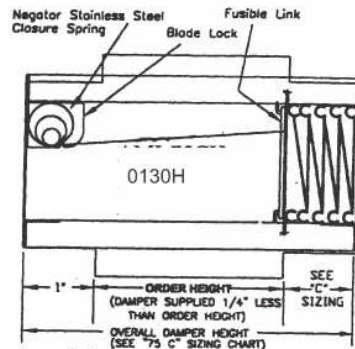
MINIMUM SIZE

3" - Round

OPTIONS:

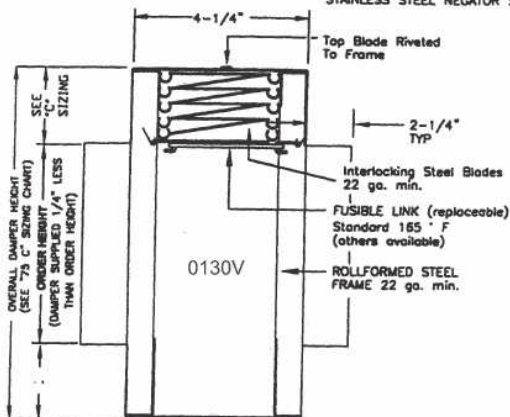
- Vertical Mount
- Horizontal Mount
- 165 deg. F. Fusible Link
- 212 deg. F. Fusible Link
- 304 Stainless Steel Construction

Horizontal & Vertical U.L. Classified 1-1/2 Hour Rating



(H) HORIZONTAL MOUNT

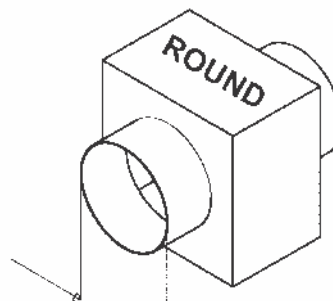
HORIZONTAL MOUNTING MODEL INCLUDES STAINLESS STEEL NEGATOR SPRING AND BLADE LOCKS



(V) VERTICAL MOUNT



UNDERWRITERS LABORATORIES (UL555) CLASSIFIED FIRE DAMPERS. FIRE RESISTANCE RATED 1-1/2 HOUR. FOR USE IN UL CLASSIFIED BUILDING MATERIALS RATED 2 HOURS OR LESS.



ORDER DIA.

Qty	Diameter	Mount	Fusible Link

Qty	Diameter	Mount	Fusible Link